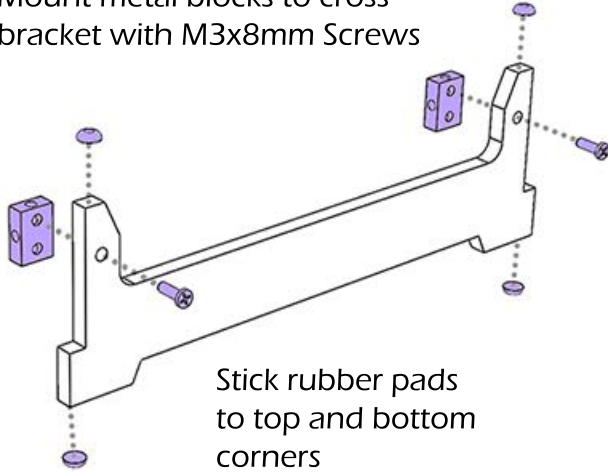
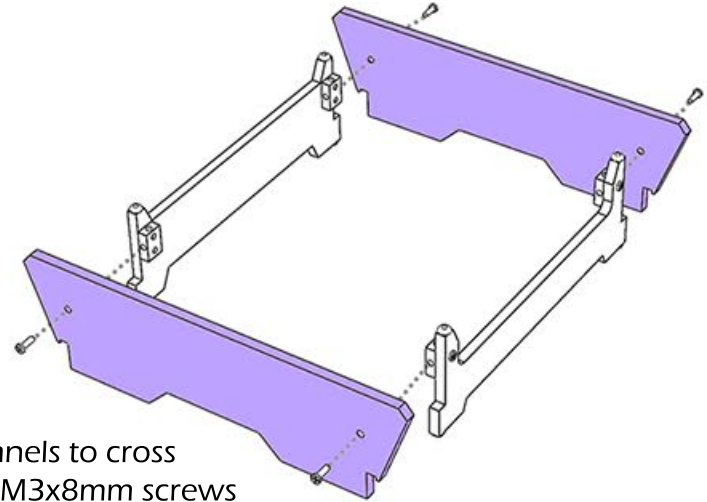


- ① Mount metal blocks to cross bracket with M3x8mm Screws

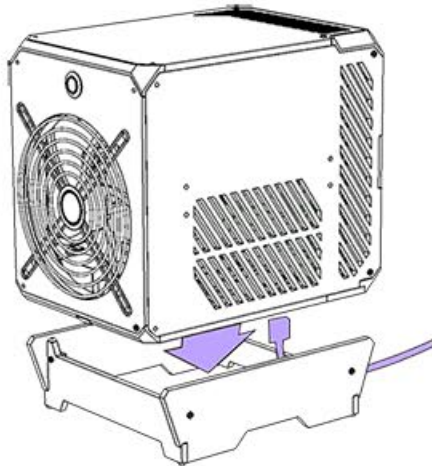


- ② Repeat for opposite side

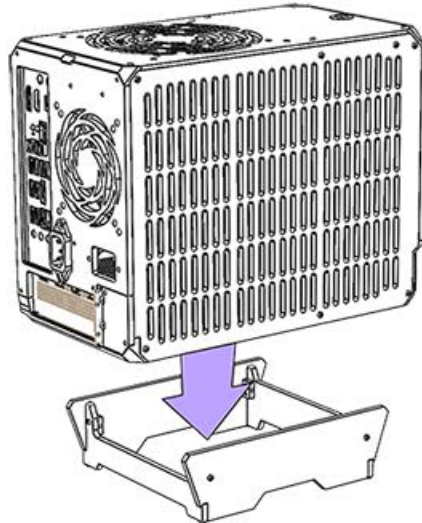


- ③ Attach side panels to cross brackets with M3x8mm screws

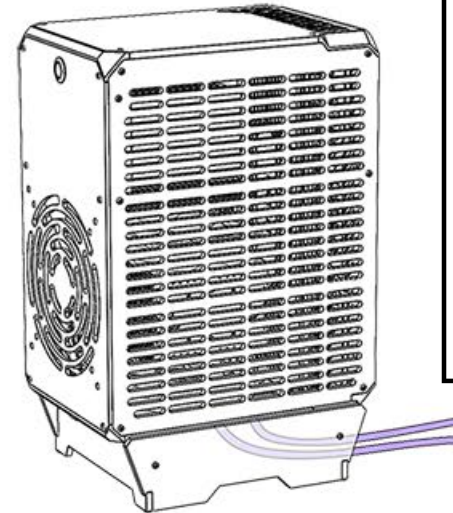
- ④ The LZ7 can be stood vertically using the stand to hide cables, or on it's side with the GPU panel facing down



The stand is also compatible with the LZ7 XTD, resting on its side:



Or stood vertically:



OPTIONAL
If your power cable connector is too big you can purchase a "Right Angle Kettle Lead" from hardware retailers